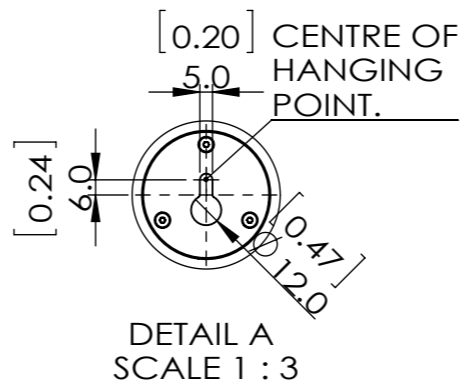
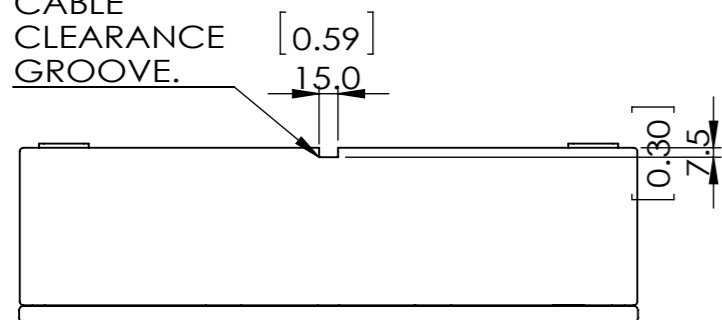


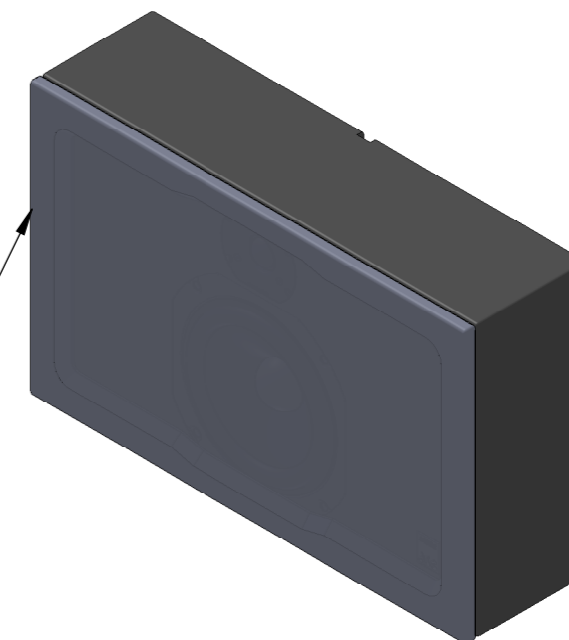
DO NOT SCALE - IF IN DOUBT ASK!

STRICTLY PRIVATE AND CONFIDENTIAL - ADDRESSEE ONLY

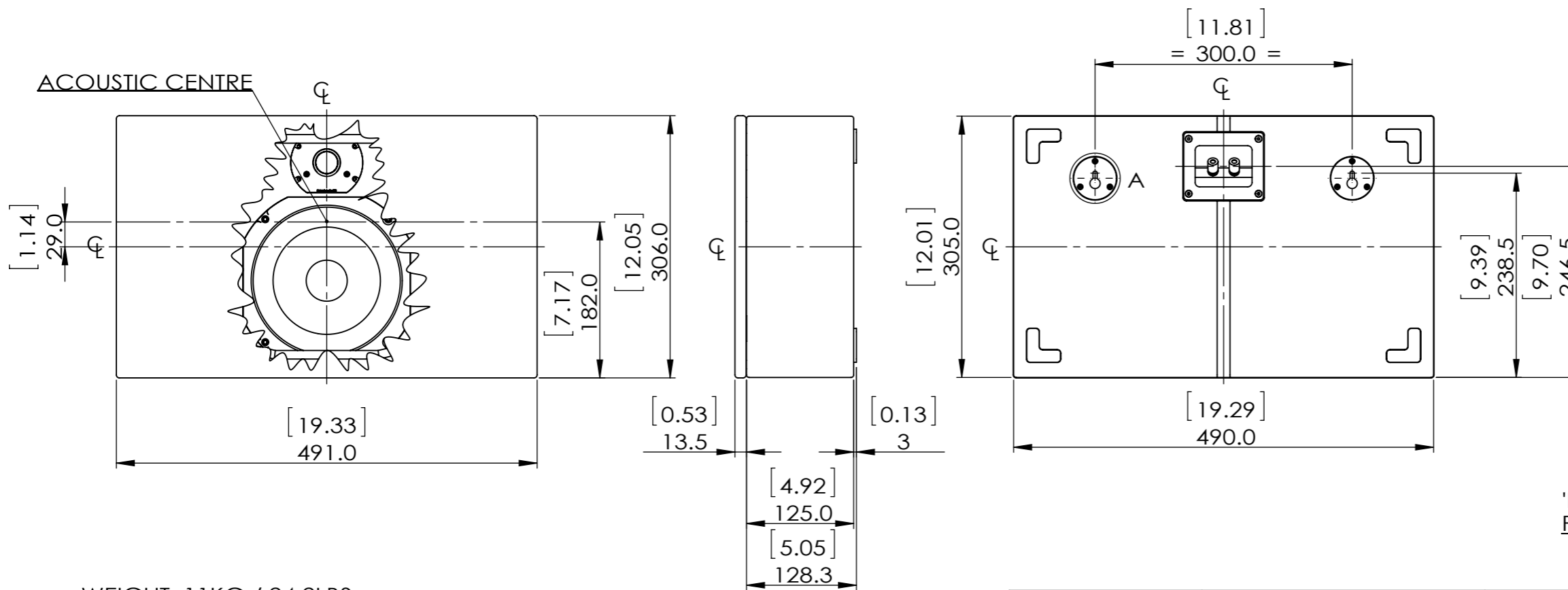
SPEAKER
CABLE
CLEARANCE
GROOVE.



FABRIC
WRAPPED
GRILL.



ACOUSTIC CENTRE



WEIGHT: 11KG / 24.2LBS
COLOUR OPTIONS: BLACK or WHITE SATIN PAINT
DIMENSIONS IN MM AND [INCHES]

1. REMOVE ALL BURRS & SHARP EDGES (BREAK ALL EDGES - MAX 0.2 RAD)
2. PLEASE PACK & HANDLE TO AVOID ANY DENTS, BRUISING & SCRATCHES
3. THIS IS A COSMETIC PART
4. THERE MUST BE NO VISIBLE MACHINING MARKS

REV	DATE	DRAWN	CHK'D	APPV'D	MODIFICATION
*	00-00-00	***	***	***	***
A	08-07-17	BSL	***	***	NEW DRAWING - SOLIDWORKS



LOUDSPEAKER TECHNOLOGY LTD
GYPSY LANE
ASTON DOWN
STROUD
GLOUCESTERSHIRE GL6 8HR
TELEPHONE: 01285 760561
www.atc.gb.net

MATERIAL:
FINISH: SATIN BLACK or SATIN WHITE PAINT

All copyright, design rights and any other intellectual property rights in the contents of, or in any attachments to, this form, to include any plans, design, photographs, specifications and other materials, remain the exclusive property of Loudspeaker Technology Ltd, are strictly private and confidential, and may not be reproduced or transmitted, in any form or by any means, or stored in any system, without the prior written consent of Loudspeaker Technology Ltd and, if requested, must be immediately returned to Loudspeaker Technology Ltd.

©LOUDSPEAKER TECHNOLOGY LTD 2012
ALL RIGHTS RESERVED.

This form and any attachments to it, may not be reproduced or transmitted, in any form or by any means, or stored in any system, without the prior written consent of Loudspeaker Technology Ltd, and if requested, must be immediately returned to Loudspeaker Technology Ltd.

PROJECT
HOME THEATRE SERIES (HTS) LOUDSPEAKERS

DWG NO. HTS11C ASSEMBLY - CUSTOMER REV A

TITLE
HTS11C ASSEMBLY - CUSTOMER

TOLERANCES UNLESS OTHERWISE STATED

MACHINED DIMENSIONS	SHEET METAL DIMENSIONS	
	INTERNAL	EXTERNAL
ONE DECIMAL PLACE: +/- 0.25MM	UNDER 15 : +0.20	-0.20
TWO DECIMAL PLACES: +/- 0.10MM	15 TO 100 : +0.35	-0.35
ANGULAR: +/- 0.50DEG	OVER 100 : +0.50	-0.50

WEIGHT	SCALE	PAPER
	1:6	A3

ALL DIMENSIONS IN MILLIMETRES U.O.S. - REMOVE SHARP EDGES SHEET 1 OF 1

THIRD ANGLE PROJECTION