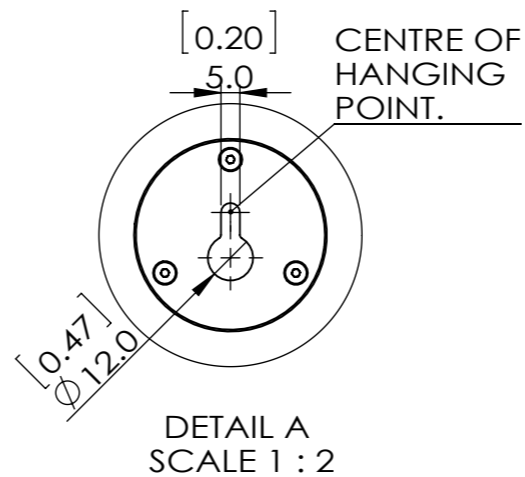
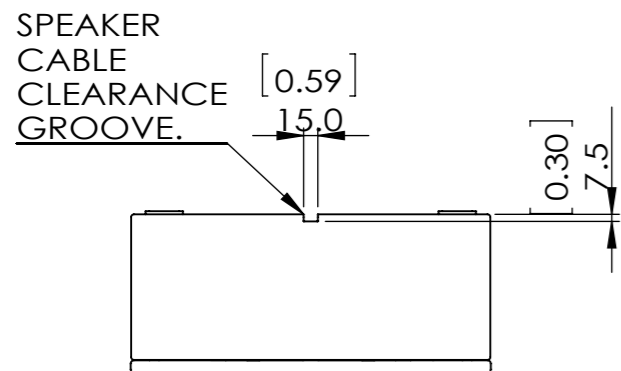
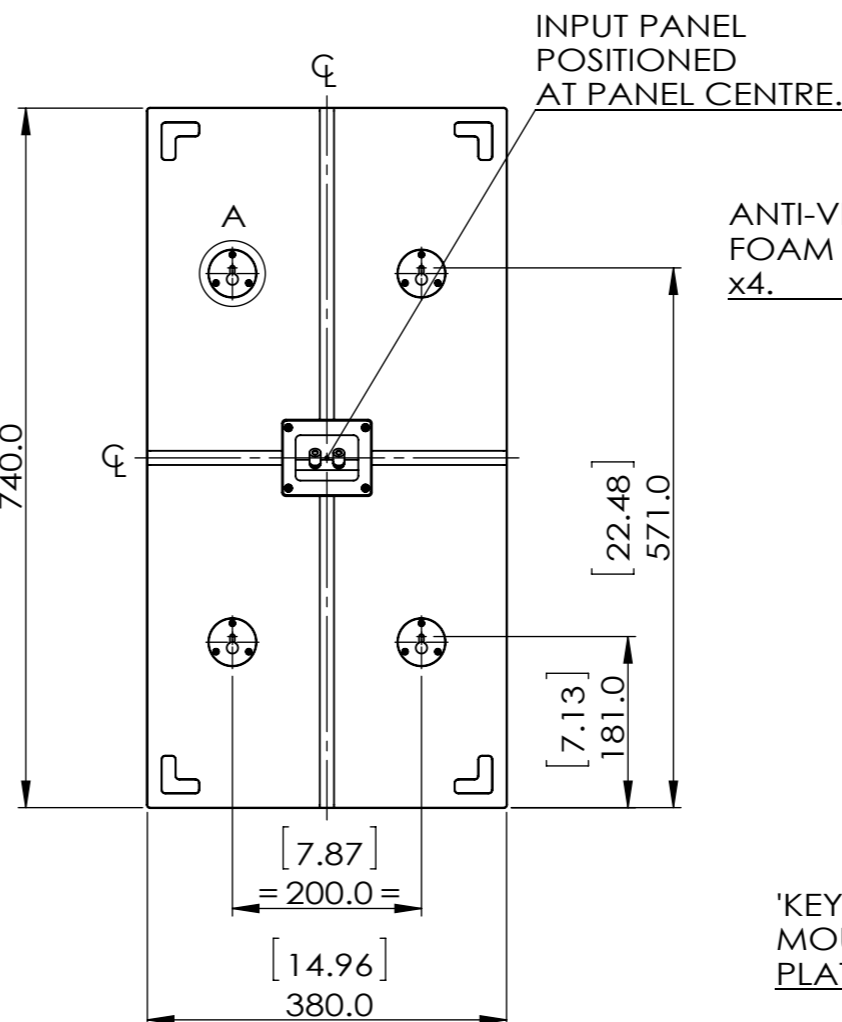
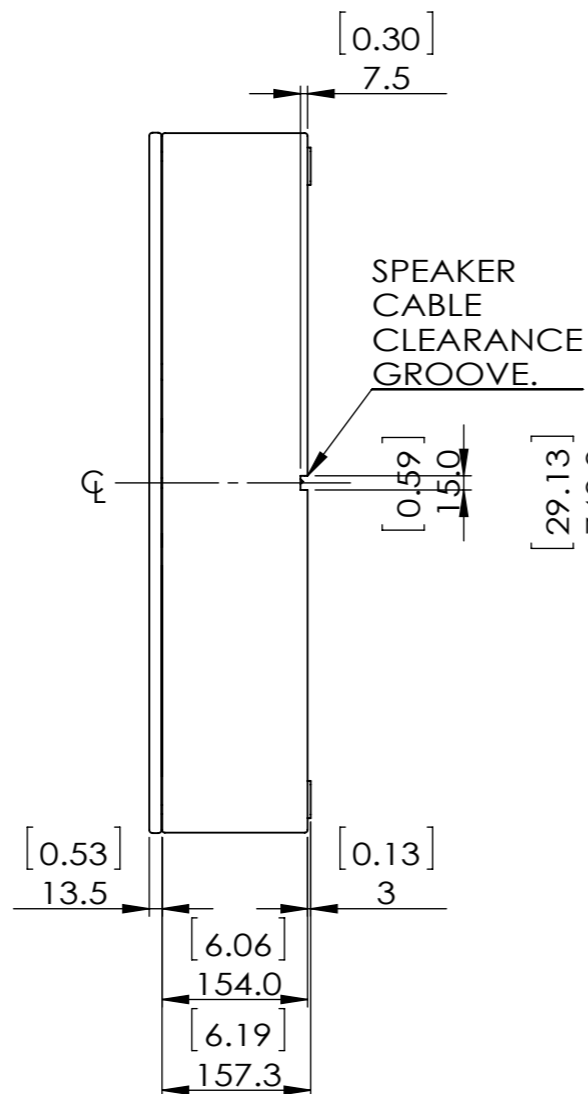
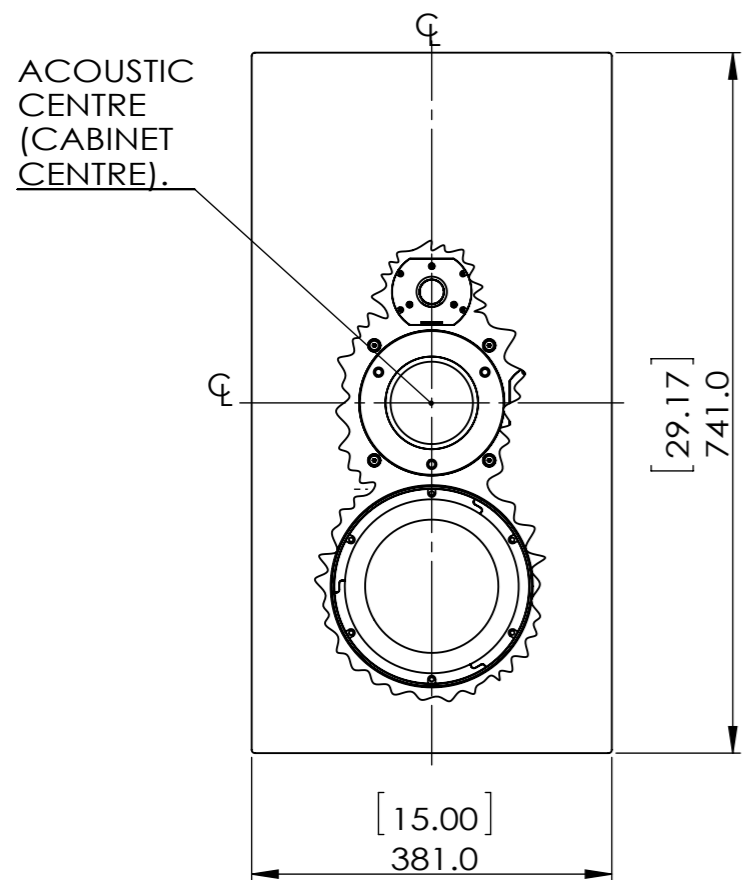
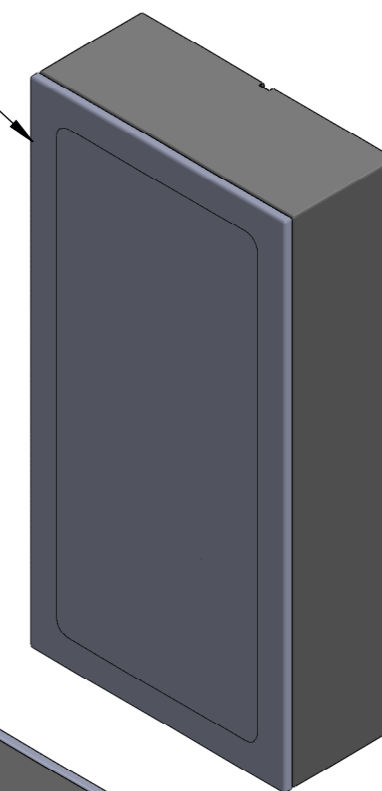


DO NOT SCALE - IF IN DOUBT ASK!

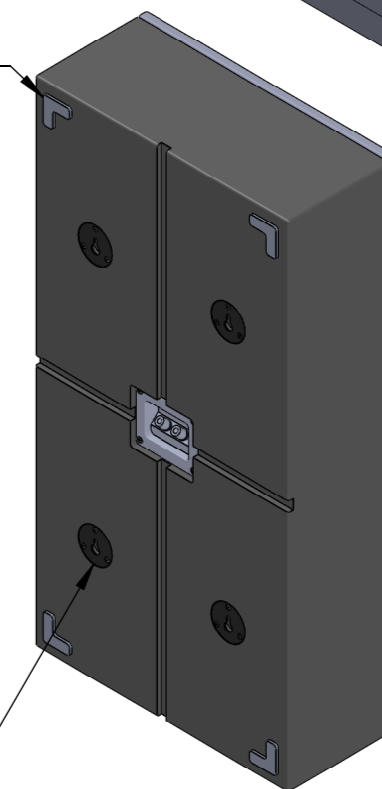
STRICTLY PRIVATE AND CONFIDENTIAL - ADDRESSEE ONLY



FABRIC WRAPPED GRILL.



ANTI-VIBRATION FOAM PADS. x4.



'KEYHOLE' MOUNTING PLATES. x4.

WEIGHT: 23KG/50.6LBS  
 COLOUR OPTIONS: SATIN WHITE AND SATIN BLACK PAINT  
 DIMENSIONS IN MM AND [INCHES]  
 HTS40 & HTS40C USE IDENTICAL CABINETS IN TWO DIFFERENT CONFIGURATIONS

1. REMOVE ALL BURRS & SHARP EDGES (BREAK ALL EDGES - MAX 0.2 RAD)
2. PLEASE PACK & HANDLE TO AVOID ANY DENTS, BRUISING & SCRATCHES
3. THIS IS A COSMETIC PART
4. THERE MUST BE NO VISIBLE MACHINING MARKS

REV	DATE	DRAWN	CHK'D	APPV'D	MODIFICATION
*	00-00-00	***	***	***	***
A	11-07-17	BSL	***	***	NEW DRAWING - SOLIDWORKS

**ACOUSTIC ENGINEERS**  
**ATC**  
 LOUDSPEAKER TECHNOLOGY LTD  
 GYPSY LANE  
 ASTON DOWN  
 STROUD  
 GLOUCESTERSHIRE GL6 8HR  
 TELEPHONE: 01285 760561  
 www.atc.gb.net

MATERIAL:  
 FINISH: SATIN BLACK OR SATIN WHITE PAINT

All copyright, design rights and any other intellectual property rights in the contents of, or in any attachments to, this form, to include any plans, design, photographs, specifications and other materials, remain the exclusive property of Loudspeaker Technology Ltd, are strictly private and confidential, and may not be reproduced or transmitted, in any form or by any means, or stored in any system, without the prior written consent of Loudspeaker Technology Ltd and, if requested, must be immediately returned to Loudspeaker Technology Ltd.

©LOUDSPEAKER TECHNOLOGY LTD 2012  
 ALL RIGHTS RESERVED.  
 This form and any attachments to it, may not be reproduced or transmitted, in any form or by any means, or stored in any system, without the prior written consent of Loudspeaker Technology Ltd, and if requested, must be immediately returned to Loudspeaker Technology Ltd.

PROJECT: HOME THEATRE SERIES (HTS) SPEAKERS  
 DWG NO.: HTS40 ASSEMBLY - CUSTOMER REV A  
 TITLE: HTS40 ASSEMBLY - CUSTOMER

TOLERANCES UNLESS OTHERWISE STATED			WEIGHT	
MACHINED DIMENSIONS	SHEET METAL DIMENSIONS		SCALE	PAPER
ONE DECIMAL PLACE: +/- 0.25MM	INTERNAL	EXTERNAL		
TWO DECIMAL PLACES: +/- 0.10MM	UNDER 15 : +0.20	-0.20	1:8	A3
ANGULAR: +/- 0.50DEG	15 TO 100 : +0.35	-0.35		
	OVER 100 : +0.50	-0.50		

ALL DIMENSIONS IN MILLIMETRES U.O.S. - REMOVE SHARP EDGES

THIRD ANGLE PROJECTION